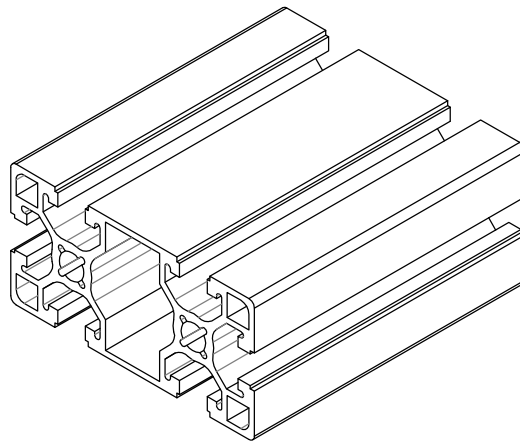
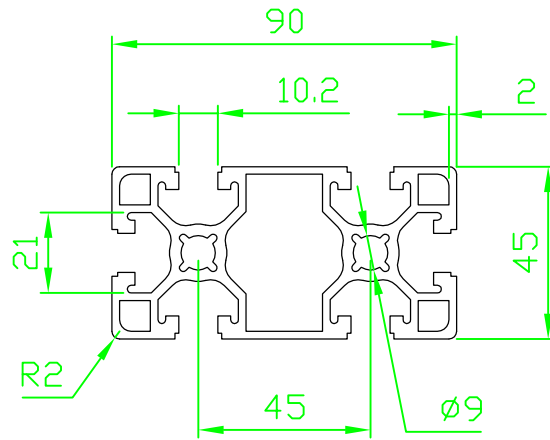


Date	Number	Form Cod
		FR1109-00



REV	DESCRIPTION					DATE	APVD
DOCUMENTS:		Designed by	Checked by	Approved by - date	Edition	Date	VYMAND
		Eslami	Eslami		1	94/06/15	
		PROFILE 45X90HEAVY		material	dimension	Scale	
				AL 6060	MM	1:1	STD: ISO
Qty:	Weight:	Tol:	DRAWING_NUMBER:		Filename:		
1	6.9 Kg	±0.05	PR.45X90H				