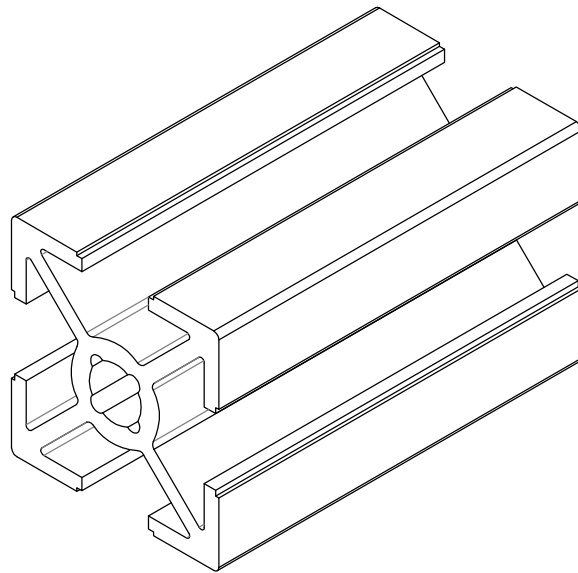
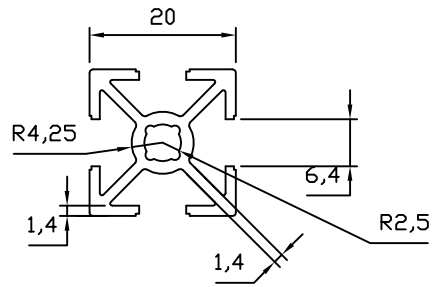




Date	Number	Form Cod
		FR1109-00



REV	DESCRIPTION					DATE	APVD
 VYMAND INFO@VYMAND.COM	Designed by	Checked by	Approved by - date	Edition	Date	VYMAND	
	Eslami Fard			1	94/06/28		
PROFILE 20X20			material	dimension	Scale	 STD: ISO	
DRAWING_NUMBER: PM.20X20.02			AL 6063	MM	1:1		
Qty:	Weight:	Tol:					