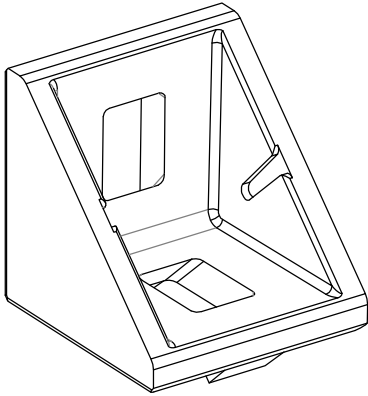
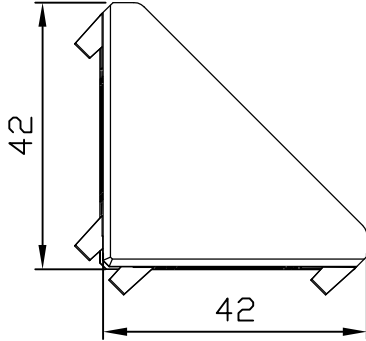
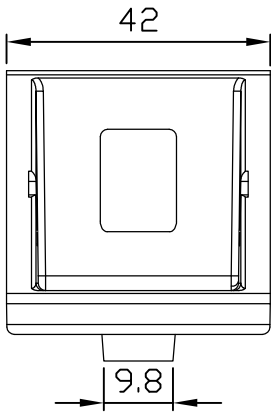


Date	Number	Form Cod



REV	DESCRIPTION					DATE	APVD
	Designed by	Checked by	Approved by - date	Edition	Date	VYMAND STD: ISO	
	Eslami Fard			1	96/09/28		
	CORNER-BRACKET 45X45			material	dimension		
Qty:	Weight:	Tol:		Aluminium	MM	1:1	