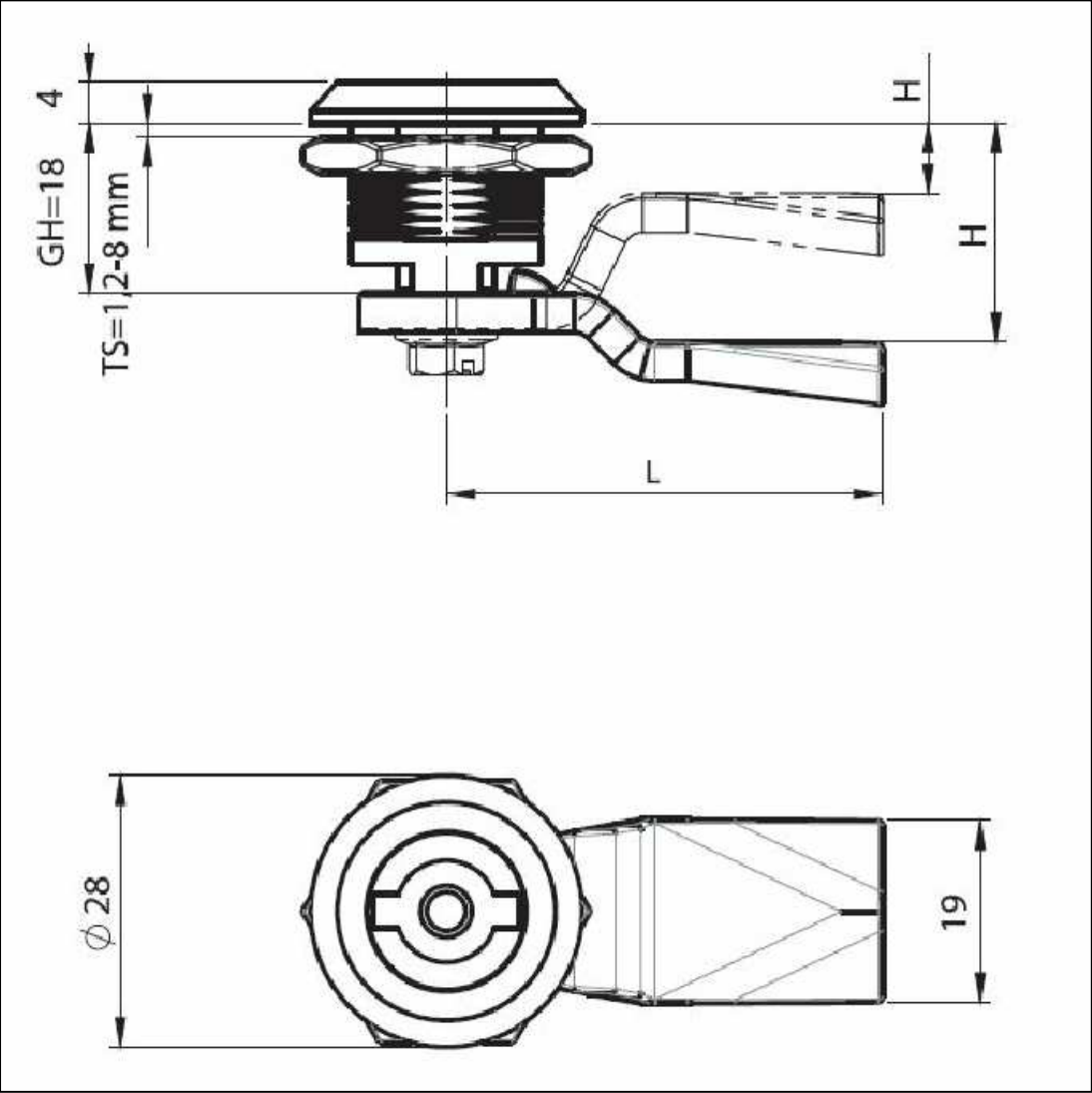




Date	Number	Form Cod



REV	DESCRIPTION					DATE	APVD
	Designed by	Checked by	Approved by - date	Edition	Date	VYMAND	
	Eslami Fard			1			
	LEAFHINGE40X40			material	dimension	Scale	 STD: ISO
Qty:	Weight:	Tol:	DRAWING_NUMBER:		AL 6063	MM	1:1
1		±0.05	45X90LIGHT				