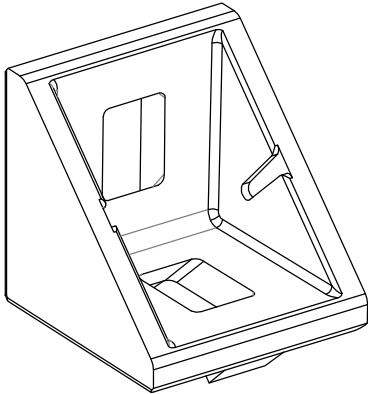
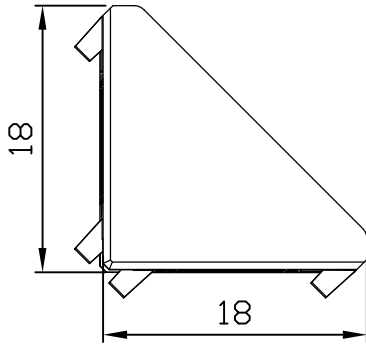
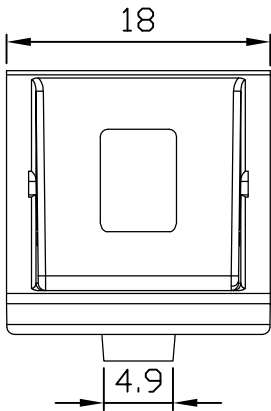


Date	Number	Form Cod



REV	DESCRIPTION					DATE	APVD
	Designed by	Checked by	Approved by - date	Edition	Date	VYMAND	
	Eslami Fard			1	96/09/28		
	CORNER-BRACKET 20X20			material	dimension	Scale	STD: ISO
	DRAWING_NUMBER: CORNER-BRACKET-20X20			Aluminium	MM	1:1	
Qty:	Weight:	Tol:					