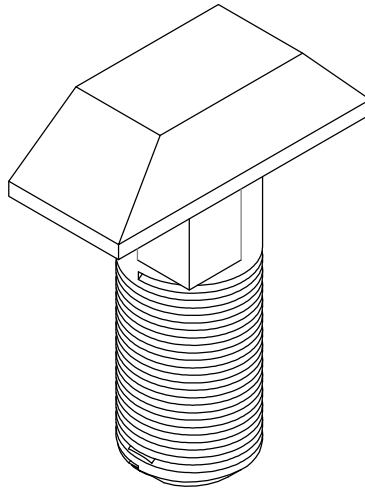
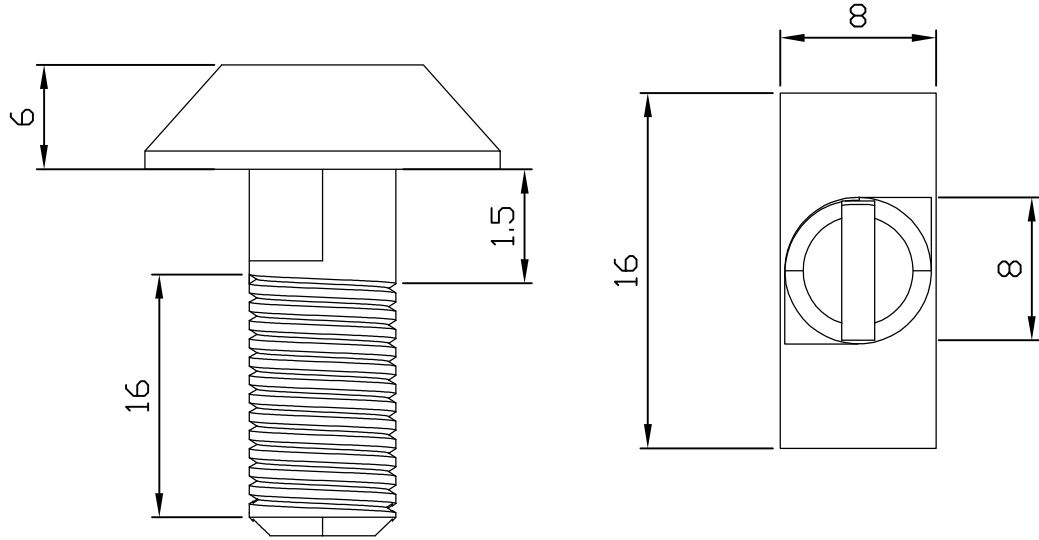


Date	Number	Form Cod



REV	DESCRIPTION					DATE	APVD
	Designed by	Checked by	Approved by - date	Edition	Date	VYMAND STD: ISO	
	Eslami Fard			1	96/09/28		
T-BOLT SLOT-8-M6			material	dimension	Scale		
			Steel	MM	1:1		
Qty:	Weight:	Tol:					