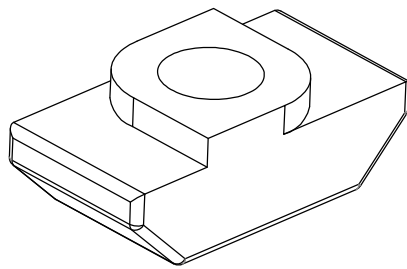
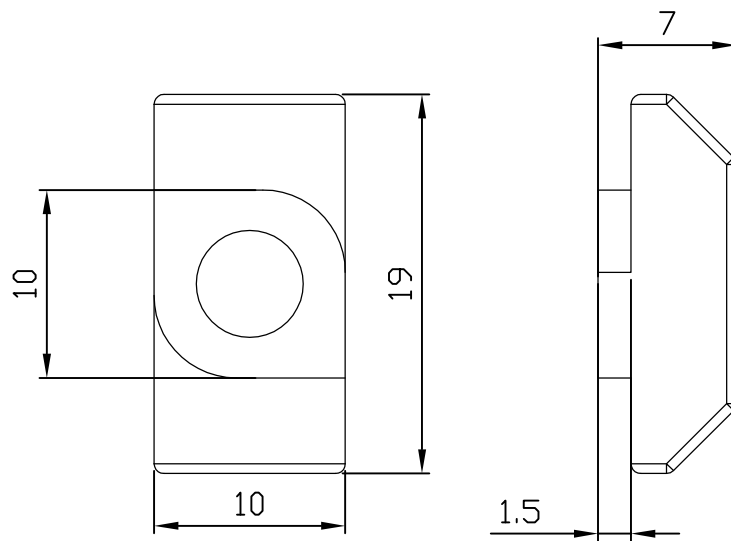


Date	Number	Form Cod



REV	DESCRIPTION					DATE	APVD
	Designed by	Checked by	Approved by - date	Edition	Date	<b>VYMAND</b>	
	Eslami Fard			1	96/09/28		
Qty:    Weight:    Tol:			<b>T-NUT SLOT10</b> DRAWING_NUMBER: T-NUT-SLOT10		material	dimension	Scale
					Steel	MM	1:1
STD: ISO							